

#### Maintenance

1. If cleaning of the light fitting is required, ensure that the light is **first switched off**.
2. Remove any accumulated dust with a soft cloth.

#### Lamp Replacement

1. To remove the lamp, pull it directly outward from its retaining clip. **DO NOT TWIST.**
2. Replace with a 12volt lamp of the same style and wattage (35w sealed dichroic lamp)

# "LuxVent Plus"

## Shower Ventilation with Light

### Installation and Operating Instructions for Light Fitting

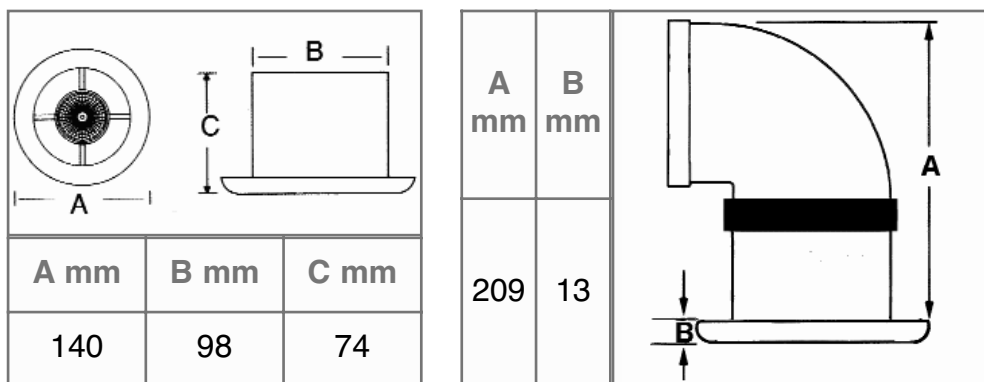
- 2 models
  - standard
  - with timer
- SELV - 12 volt
- with white or chrome bezel
- for toilets, bathrooms and shower-rooms
- ceiling installation



PLEASE READ THE FOLLOWING INSTRUCTIONS VERY CAREFULLY BEFORE USING THE PRODUCT. **THIS LEAFLET MUST BE READ IN CONJUNCTION WITH THE FAN INSTALLATION INSTRUCTIONS WHICH ARE IN THE BOX CONTAINING THE FAN.**

THE MANUFACTURER WILL NOT BE HELD RESPONSIBLE AND DECLINES ANY AND ALL LIABILITY FOR DAMAGE CAUSED TO PERSONS OR PROPERTY DUE TO IMPROPER USE WITH REFERENCE TO THE PRECAUTIONS OUTLINED IN THIS MANUAL.

**THIS MANUAL MUST ALWAYS BE READILY AVAILABLE**



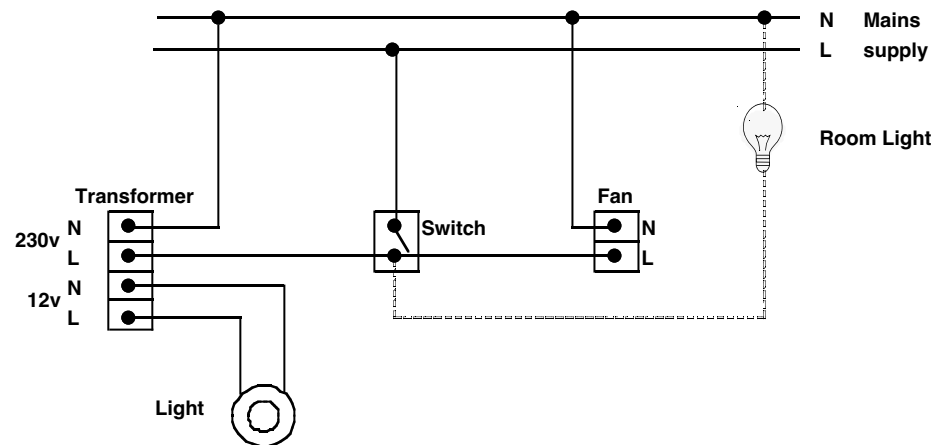
### Light Installation

1. Remove the white or chrome bezel by twisting clockwise.
2. Slacken off the screws holding the fixing clips on each side of the spigot by about 10mm.
3. Choose a suitable position in the ceiling between the joists and cut a hole 115mm in diameter.
4. Push the light housing through the hole until the flange is against the underside of the ceiling. Tighten the fixing clip screws until the housing is securely fixed in place. The two forks on each clip should be pressed against the upper side of the ceiling.
5. Choose either the white or chrome bezel and locate it against the light housing. Twist it anti-clockwise until it locks into place.
6. Attach the black rubber gasket to the spigot on the rear of the light fitting.
7. Push the white 90° bend into the rubber gasket until it touches the rear of the light fitting.
8. Connect the flexible ducting to the other end of the bend.
9. Decide where the fan is to be installed, and cut the ducting, allowing enough to reach to the fan with sufficient remaining to reach the outside wall. You may not need all the 6m supplied. The ducting should be reasonably taut.
10. Secure all the ducting joints firmly with the cable ties supplied to ensure an air tight seal.
11. The flexible ducting runs should be kept as straight as possible. If a bend is necessary, it should be a wide radius.

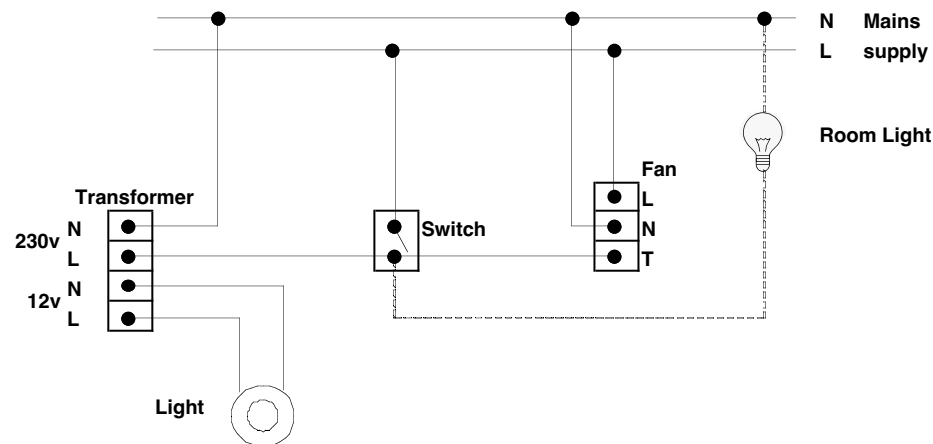
### Electrical Connection

1. Fix the transformer in a suitable place, reasonably close to the light fitting, but away from contact with water.
2. Connect the wires as shown in the following diagrams.

**A: LuxVent Plus - fans without overrun timer**



**B: LuxVentT Plus - fans with overrun timer**



**Note :** The fan/light can be operated from the room light switch or from an independent switch.