

"SELV" - safety extra low voltage - ultra slim



- *Recessed low profile high pressure duct fans*
- *2 models*
- *IP57 - SELV*
- *For toilets, shower-rooms, bathrooms and utility rooms*
- *For walls or ceilings*
- *Standard and Timer*
- *Exceeds Building Regulations requirements (including new Document F)*

GENERAL

- ultra low profile - only 18 mm
- high pressure duct fan to exhaust air and fumes through long lengths of rigid or flexible ducting
- hole diameter 6"/15cm - duct size 4"/10cm
- integral backdraught shutter
- adjustable timer - 3-15 minutes
- neon indicator to show fan is switched on
- easy plasterboard ceiling installation with (optional) Ceiling Ring
- easy wiring of "T" model with quick fix terminal block
- whisper quiet operation
- can safely be installed in Zones I and II
- **all models with remote transformer**

SPECIFICATION

- casings from shockproof and heat resistant plastics
- double insulated motors of shaded pole type mounted on self-lubricating, sealed ball bearings for long life
- motors incorporate thermal cut-out
- maximum ambient temperature - 40°C

COMPLY WITH

- EN60335-2-80
- EC Low Voltage Directive 73/23-93/68
- EC Directive EMC89/336
- CE marked



fan profile

quick-fix terminal-block



TYPICAL SPECIFICATION

Supply and install a Vectaire RMF100TLV recessed duct fan for toilets, shower-rooms, bathrooms and utility rooms as supplied by Vectaire Ltd, Lincoln Road, Cressex Business Park, High Wycombe, Bucks, HP12 3RH.

This fan is to be suitable for installation either in a ceiling or a wall with a 6"/15cm hole size and a 4"/10cm outlet. The fan should be complete with an integral backdraught shutter and over-run, adjustable timer.

The fan should be made of shockproof and heat resistant plastic, contain a motor with sealed, self-lubricating bearings, and be protected with a thermal cut-out.

The fan should be double insulated and be capable of being used with long lengths of ducting.

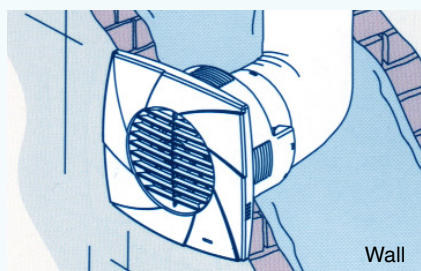
The fan should be SELV (IP57) rated, and comply with all current IEE, EC and Building Regulations requirements for installation into a toilet, shower-room, bathroom or utility room.

- **RMF100LV** - standard
- **RMF100TLV** - overrun timer

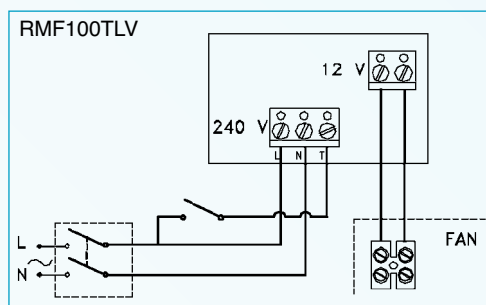
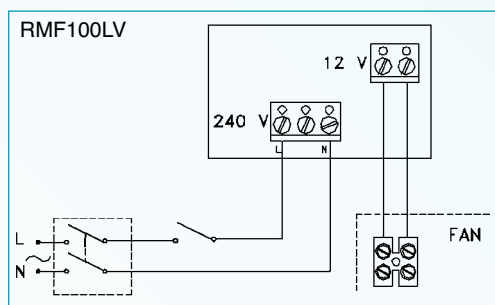


TECHNICAL CHARACTERISTICS

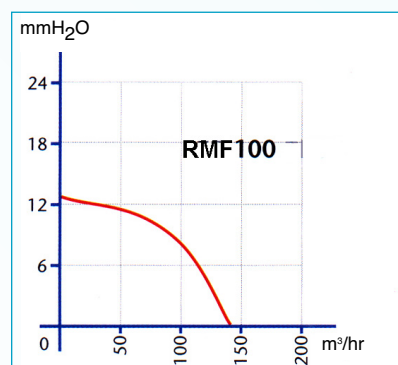
INSTALLATIONS



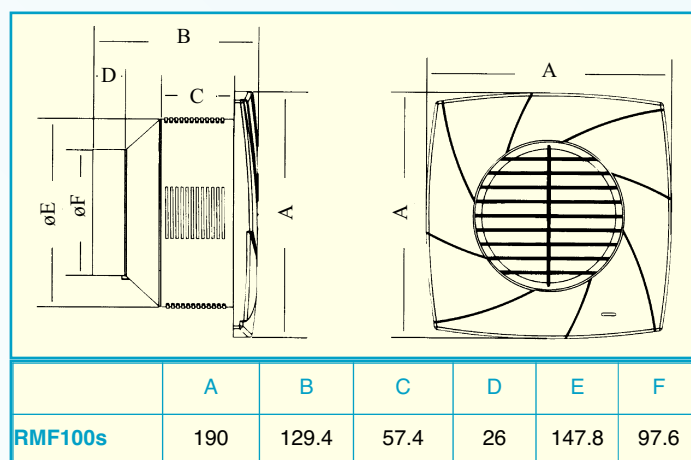
WIRING DIAGRAMS



PRESSURE CURVES



DIMENSIONS



TECHNICAL DATA

Model	m ³ /hr	litres/sec	mmH ₂ O	Pa	Volts	Hz	Watts	dbA	Hole dia mm	IP57	Weight kg
RMF 100s	130	36	13	128	12	50	30	49	150/100	yes	0.998

ACCESSORIES



Fixed Grille



Gravity Grille



Flexible Ducting



Ceiling Ring

FULL RANGE OF ACCESSORIES AVAILABLE INCLUDING FLEXIBLE AND FLAT DUCTING