

## CIL



### CIL

- centrifugal fans for domestic, commercial or industrial use
- high performance extract capacity and pressure
- suitable for continuous running
- can be used with flexible or rigid ducting
- low noise levels
- cost savings compared to multi-spigot installation
- three models with self-extinguishing technopolymer casing
- In-line models in steel with epoxy finish
- low running costs
- exceeds Building Regulations requirements

## CIL

### GENERAL FEATURES

- in-Line centrifugal fans
- for domestic, commercial and industrial use
- 3 sizes and capacities with self-extinguishing technopolymer casing (P) models.
- 6 sizes and 9 capacities with steel casing
- high performance extract capacities and pressure.
- backward curved blades to ensure lowest possible sound and to develop high static pressure.
- suitable for continuous running
- fixing brackets included
- can be used with rigid or flexible ducting
- can be used with variable speed controller
- easy to install
- easy to maintain
- "P" models protected by IPX2 rating - all other models to **IPX4**
- **Splashproof**

### TECHNICAL FEATURES

- "P" models have casings from shock-proof, high quality, impact resistant, technopolymer with high mechanical strength and V2 flame retarding features
- other models have heavy-gauge, spun steel housing with baked epoxy finish inside and outside
- electrical connections in external plastic box protected to IP54
- "P" mode with backward curved blades and ball bearing motor provided with thermal cut-out
- other motors are external rotor type mounted on self lubricating, sealed for life bearings for long life and quiet running
- protected with thermal cut-out
- "P" models for use in ambient temperatures to 50°C - other models to 60°C

### CONTROL FEATURES

- can be used with variable speed controller

### COMPLIES WITH

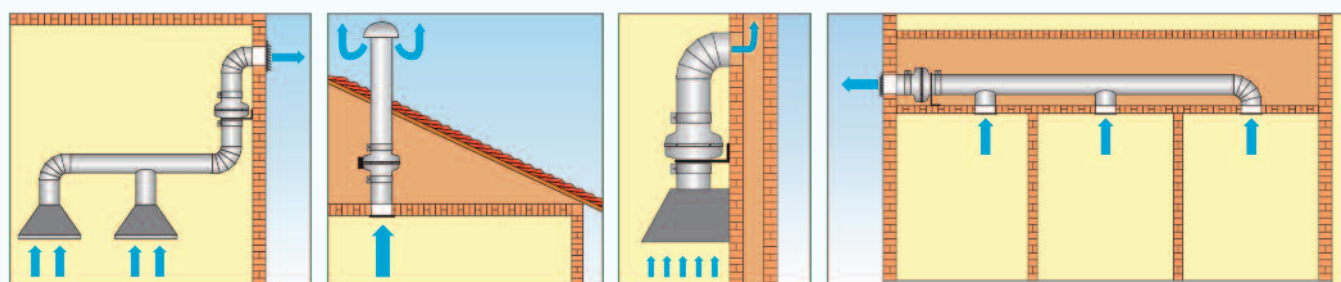
- "P" models with ErP Directive 2009/125/CE and EU Regulation 1253/2014 (Classification: Residential Ventilation Unit).
- Other models comply with ErP Directive 2009/125/CE and UE Regulation 1253/2014.
- CIL 100 - 200 / Residential Ventilation Unit
- CIL 250 - 315 / Non Residential Ventilation
- CE marked

### FULL RANGE OF ACCESSORIES AVAILABLE:

- protection guards
- duct clamps
- backdraught shutters
- filter cassettes
- silencers
- duct heaters

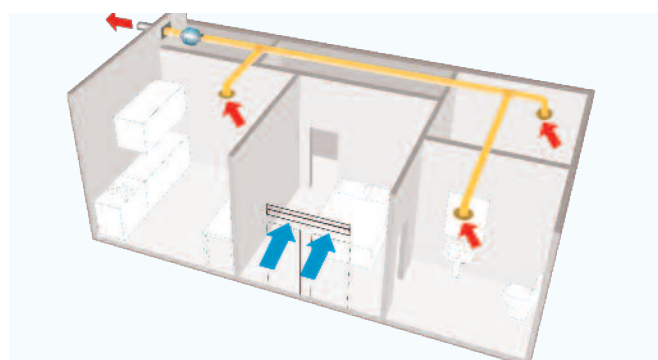
Vectaire offers a design service to ensure that the unit installed is the best possible to provide efficient, effective, low energy and low running cost ventilation. Vectaire can also organise installation, commissioning and maintenance of these products.

### INSTALLATION



### MODELS AVAILABLE:

- **CIL100P** - 4"/10cm - technopolymer
- **CIL125P** - 5"/12cm - technopolymer
- **CIL150P** - 6"/12.5cm - technopolymer
- **CIL100A** - 4"/10cm - metal
- **CIL100B** - 4"/10cm - metal
- **CIL125A** - 5"/12cm - metal
- **CIL125B** - 5"/12cm - metal
- **CIL150A** - 5"/15cm - metal
- **CIL150B** - 5"/15cm - metal
- **CIL200** - 8"/20cm - metal
- **CIL250** - 10"/25cm - metal
- **CIL315** - 12"/31cm - metal

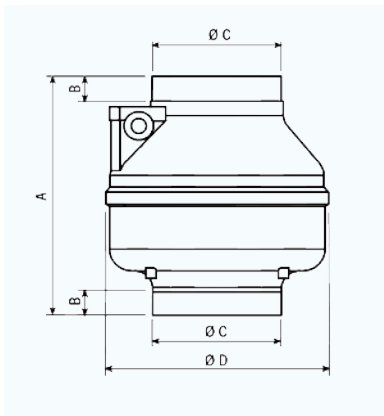


# CIL

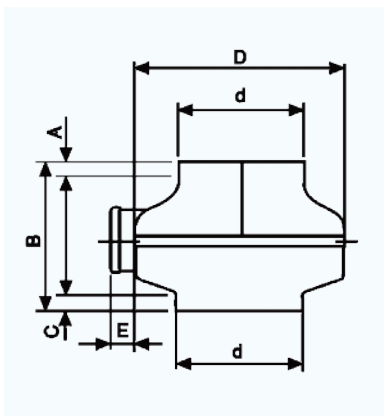
TECHNICAL CHARACTERISTICS						
	l/sec	m <sup>3</sup> /hr	Pa	W	A	dBA at 3m
CIL100P	58	211	263	27	0.13	32
CIL125P	73	265	251	27	0.13	33
CIL150P *	119	430	325	65	0.29	39
CIL100A	66	237	279	27	0.13	30
CIL100B *	72	260	383	50	0.23	36
CIL125A	80	287	238	27	0.13	32
CIL125B *	87	313	345	50	0.23	36
CIL150A	94	337	189	29	0.14	33
CIL150B *	149	537	406	80	0.37	39
CIL200 *	246	887	460	110	0.50	34
CIL250	309	1114	543	150	0.65	43
CIL315	400	1439	742	260	1.14	43

\* to comply with ErP 2018 parameters a local demand controller MUST be used.

DIMENSIONS - mm



	A	B	ØC	ØD	Kg
CIL100P	238	25	98	212	1.5
CIL125P	238	25	123	212	1.5
CIL150P *	232	28	147	253	2.0



	A	B	C	ØD	Ød	E	Kg
CIL100A	12	215	24	245	98	38	3
CIL100B *	12	215	24	245	98	38	3
CIL125A	11	214	24	245	122	38	3
CIL125B *	11	214	24	245	122	38	3
CIL150A	21	216	23	245	147	38	5
CIL150B *	22	230	22	333	148	38	3
CIL200 *	22	230	27	333	198	38	5
CIL250	22	230	35	333	248	38	5
CIL315	30	297	52	404	314	38	8



# CIL

PERFORMANCE (curves are for guidance only)

